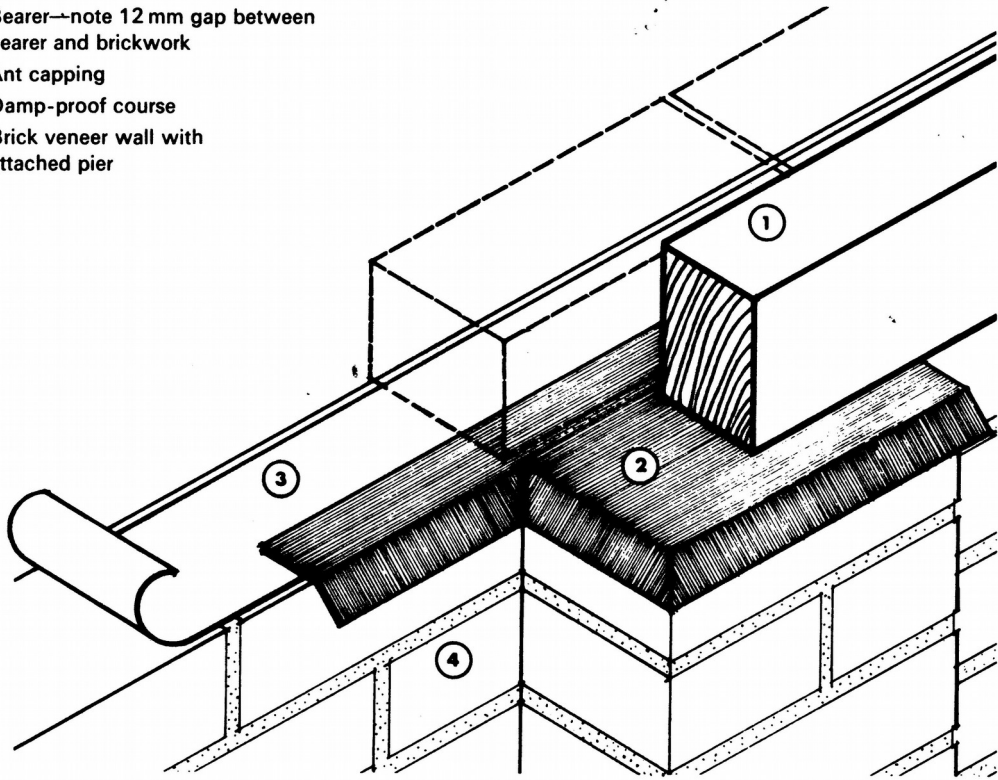


BRICKS - DAMP PROOFING

- 1 Bearer—note 12 mm gap between bearer and brickwork
- 2 Ant capping
- 3 Damp-proof course
- 4 Brick veneer wall with attached pier



Damp-proofing. Because bricks are porous, capillary action causes dampness to rise from the ground. To prevent this, lay a continuous damp-proof course (strips of bituminous felt, lead, bitumen-coated aluminium or special plastic) on the brickwork at least two courses above ground level but below all ground-floor timber levels. Lay damp-proof material on top of all piers to protect bearers.